



# 2500

## Electric Line Puller

The ultimate crab and prawn trap  
pulling machine

INSTALLATION    MAINTENANCE    USE & SAFETY    REGISTRATION



**SCAN QR CODE  
FOR ONLINE  
REGISTRATION**

**OR VISIT**

**[scotty.com/warranty-card-linepull](http://scotty.com/warranty-card-linepull)**

**CAUTION!** Read through this entire booklet before operating your Scotty Line Puller. Improper use may damage your Scotty Line Puller and void the warranty. You may also expose yourself to unnecessary danger and physical injury.

# Electric Scotty Line Puller

Our goal is to manufacture a superior line puller, built to withstand the demanding marine environment. This instruction book will give you basic instruction on mounting and using your line puller, **please read it carefully**. It will improve your results and also give you important tips on line puller safety and care.

## WARRANTY

Scotty is proud to warranty your Line Puller for a period of 2 years from the date of purchase. For warranty inquiries, please contact Scotty Fishing, Marine and Outdoors at 1-800-214-0141, or one of our authorized warranty repair service depots (see [www.scotty.com](http://www.scotty.com) or call us for the depot nearest you). We will do our best to get you back out on the water as soon as possible. Please read your warranty agreement carefully and retain the certification section in a safe place, along with your serial number.

## SPEED & EFFICIENCY

The Scotty Line Puller's drive mechanism incorporates a positive drive gear belt to turn the capstan. This highly efficient belt system is used by many auto makers for valve timing, and the benefit to the Angler is that power is transferred from the motor at greater efficiency than worm gear drives used in most Line Pullers. The result is a faster retrieval speed with less electric power used.

## Line Puller Safety

The Scotty Line Puller has been engineered to retrieve non-commercial, sport-fishing traps. Attempting to lift heavier traps may damage the unit, and may cause personal injury to the operator. All sports have some physical hazards connected with them and retrieving sport-fishing traps calls for some common sense and precaution.

- **Do not** attempt to lift a trap, that when fully loaded, is more weight than you can safely handle.
- **Do not** attempt to use the Scotty Line Puller to lower your traps. It is not designed for this purpose and may cause damage to the puller or personal harm to the operator.
- When your trap reaches the surface, **TURN THE UNIT OFF. Do not attempt to lift a trap over the gunnel of your boat with the unit still running.**
- **Do not** attempt to lift a snagged trap with the puller. If possible, the snagged trap must first be freed from the obstruction.

# Instructions

The Scotty Line Puller is very simple and easy to operate when used to retrieve non-commercial, sport-fishing traps for crabs, prawns, shrimp and other shellfish. We recommend you follow these steps in order to safely retrieve your traps:

- Do not attempt to use the Scotty Line Puller to lower your traps. It is not designed for this purpose and may cause damage to the puller or personal harm to the operator.
- Ensure the Scotty Line Puller is plugged in and in the OFF position (red power switch pushed all the way in).
- Hook the trap line over the pulley at the end of the Puller arm.
- Wrap two or three wraps CLOCKWISE (follow the direction of the arrows) around the capstan, STARTING AT THE BOTTOM.
- Ensure you are clear of the pulley and the capstan before turning the unit on.
- Turn the unit on by pulling the red power switch out.
- Apply light pressure to the line by pulling on the free end of the rope (this is the end inside your boat, not the end leading into the water).
- If you have difficulty lifting a trap, release pressure on the rope. Do not attempt to lift a snagged trap.
- When the trap reaches the surface **TURN THE UNIT OFF.**

**Do not attempt to lift a trap over the gunnel of your boat with the Line Puller still running.**

# Wiring Instructions & Installation

## WARNING

Batteries contain a large amount of potential electrical energy. Extreme care must be used when working with batteries. An improper connection to a battery can release enough energy to cause severe injury or fire.

PLEASE READ THROUGH ALL ELECTRICAL INSTRUCTIONS PRIOR TO INSTALLATION AND WIRING.

Required for Installation and not included with this kit:

- 30 amp fuse with fuse holder (Scotty part # 1124)

## OVERCURRENT PROTECTION

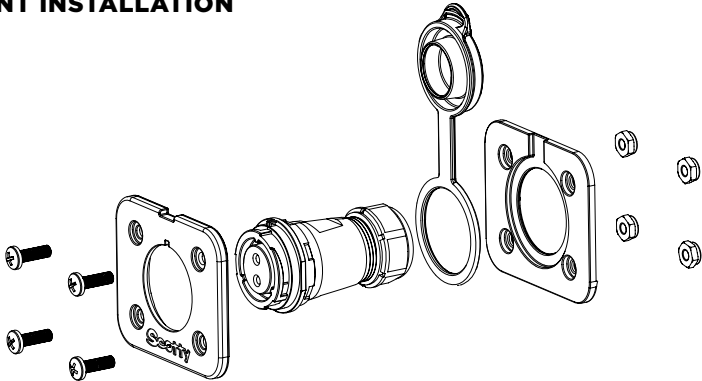
The wiring between the battery and the receptacle must have proper overcurrent protection in the form of an inline 30-amp fuse. It is this inline fuse that may prevent an electrical fire in the event of a short circuit. Position the overcurrent protection within 7" of the battery.

## WIRE GAUGE

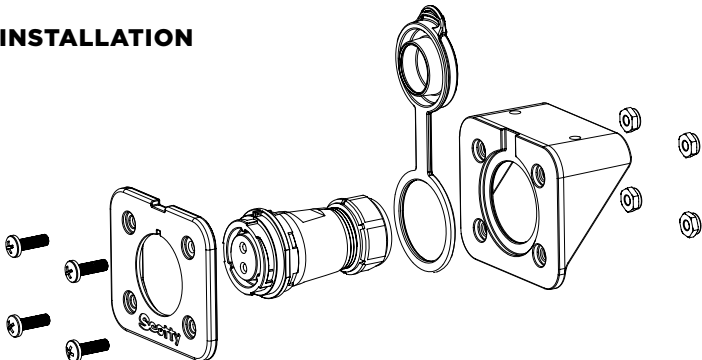
Use marine grade 10 gauge electrical wire to bring power to your receptacle.

**NOTE:** The Line Puller should always be unplugged when not in use.

## FLUSH MOUNT INSTALLATION

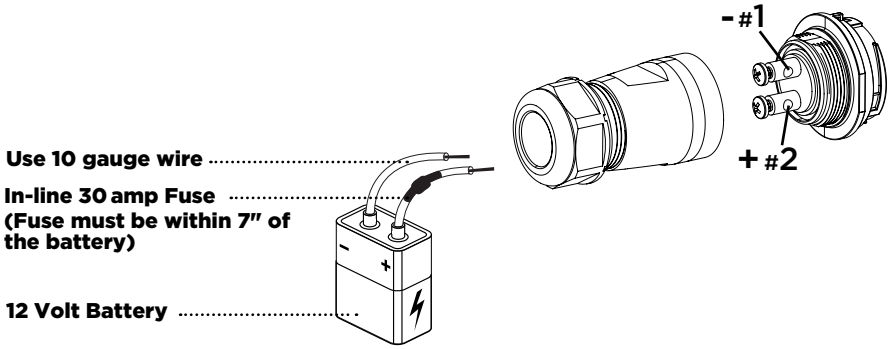


## 90° MOUNT INSTALLATION



# Receptacle Installation & Wiring

It is important that the receptacle is wired to match how the plug is wired. The terminals marked 1 and 2 on the receptacle mate with the corresponding terminals marked 1 and 2 on the plug.



Mounting the receptacle requires a  $1\frac{3}{8}$ " hole to be drilled. Select a location where the boats structure will not be weakened. Also, mount on a vertical surface to lessen the amount of water that can enter the receptacle. Alternatively, you may want to mount the receptacle using the Scotty L-bracket (included in your Line Puller kit)

**Do not** solder the ends of the wires.

Feed the wire from the back, through the  $1\frac{3}{8}$ " hole. Insert the negative (-) wire into terminal "1" and the fused positive (+) wire into terminal "2" and tighten both terminal screws. Make certain there is no wire insulation inside the terminals and that there are no stray wire strands outside the terminals. Do not overtighten! Mount the receptacle.

## CIRCUIT BREAKER

Your Scotty Line Puller is equipped with an automatic circuit breaker to protect the motor from overload. If you attempt to lift a snagged trap or a trap that is too heavy for the Line Puller, the circuit breaker will probably trip. Wait 5 to 10 seconds for it to automatically reset and you will have power again. However, do not repeatedly attempt to lift a load too heavy for the Line Puller motor. If possible, the snagged trap must first be freed from the obstruction.

**Note:** It is also possible to trip the circuit breaker by lifting a snagged or fully loaded trap from extreme depth. The circuit breaker is designed to trip at about 25 amps. If this happens, allow the circuit breaker to cool several seconds before resuming lifting.

# Polarity Information

Care has to be given when wiring the plug. Make sure both sides of the plug match +/- polarity. When your Line Puller is wired correctly and plugged in correctly the unit will run clockwise. If your unit is not running clockwise do not operate the unit. Check all connections and wiring for proper polarity.

# Mounting Instructions

The Line Puller is assembled with the 1023 mounting bracket. This bracket can be bolted directly to your gunnel or on top of an alternative mount (for additional mounting options see page 7). Line Pullers can be mounted on either side of the boat, on the stern or on either corner. They will work in any location but you should be mindful of where you will be coiling the trap line and how you will lift a full trap over the gunnel of the boat.

You may be handling heavy traps and long lengths of rope, ensure your mounting location is convenient and safe for these operations. Do not mount the Line Puller where you have to reach or lean a long way to lift a heavy trap over the gunnel.

Due to the heavy stresses placed on the boat gunnel by the leverage of the traps on the Line Puller arm, we recommend that a wood or metal backing plate always be installed on the underside of the mounting surface. This spreads the load and reduces damage to the boat in the event of a snagged trap.

# Care and Maintenance

Your Scotty Line Puller is constructed of corrosion resistant materials. The following regular maintenance checks should be performed.

1. Routinely check the stainless steel fastenings with a screwdriver to see that they are snug and secure.
2. Check the electrical plug connectors for corrosion and clean off any corrosion found. Failure to clean corrosion may cause electrical arcing and shorting which may be a potential fire hazard.
3. Do not use any lubricants. Lubricants will attack and damage the plastic components.
4. Do not expose the Line Puller to ultraviolet light for extended periods of time.

# **Line Puller-2 year Warranty**

## **ORIGINAL PURCHASER**

Scotty Marine and Fishing Products hereby extends to the original purchaser of the product listed on the registered warranty form, a 2 year warranty, against defective workmanship and/or material defects when used for lifting non-commercial traps, the purpose intended, under normal conditions.

The warranty period commences upon the date the Line Puller is purchased and terminates on the transfer of the product from the original purchaser, or the completion of 2 years, whichever comes first.

To obtain warranty service, the original purchaser must contact the factory service center listed below. It is a condition of warranty service that the product be returned to the factory service center, or factory authorized service center, freight prepaid, together with your registered product. In the event of a defect, malfunction or failure to conform with the written warranty, the warrantor will, at his discretion, either repair or replace warranted product.

The warranty provided here is in lieu of all other express warranties. All other obligation or liabilities, including liabilities for consequential damages, are hereby excluded.

Some states or provinces do not allow limitations on how long an implied warranty last or do not allow the exclusion of limitation of incidental or consequential damages, so the above limitations or exclusion may not apply to you.

This warranty gives you specific legal rights, and you may also have other rights which may vary by state or province.



## **SCOTTY FISHING & OUTDOOR PRODUCTS**

2065 Henry Ave West  
Sidney, British Columbia  
Canada V8L 5Z6

<b>PHONE</b>	250 656 8102
<b>TOLL FREE</b>	1 800 214 0141
<b>FAX</b>	250 656 8126
<b>EMAIL</b>	<a href="mailto:scotty@scotty.com">scotty@scotty.com</a>



[www.scotty.com](http://www.scotty.com)

To obtain parts, information or to locate the warranty service depot nearest you, check out our website: [scotty.com/contact](http://scotty.com/contact)

**CE** CN: PR 11 10 0434 001

Although Scotty makes every effort to ensure the accuracy of specifications at the time of publication, specifications for products described in this publication are subject to change without notice.

Contact Scotty for the most current information.

In order to maintain your warranty, don't forget to register your Line Puller. Serial number located under the Line Puller, left hand side.