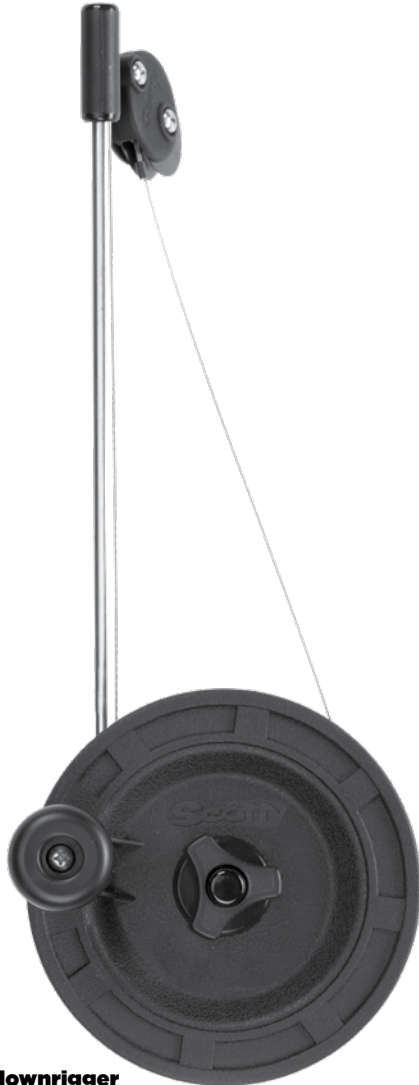




LAKETROLLER | Manual Downrigger

1071 • 1073

INSTALLATION MAINTENANCE USE & SAFETY REGISTRATION



**SCAN QR CODE
FOR ONLINE
REGISTRATION**

OR VISIT

scotty.com/warranty-card-downrigger

CAUTION! Read through this entire booklet before operating your Scotty Downrigger. Improper use may damage your Downrigger and void the warranty. You may also expose yourself to unnecessary danger and physical injury.

Mounting

Bracket Mount Laketroller

The bracket mount Laketroller is designed to enter the mounting bracket only when pointing inboard. And is locked in every other direction.

To ensure the mounting bracket is correctly positioned, the ‘Scotty’ trademark on the bracket should read right way up, when looking from inboard.



When mounting the 241 bracket, a Scotty 441 Backing Plate or a wood or metal plate on the underside of the gunnel should be used to distribute the load.

When side mounting, the bracket should be mounted as flush to the gunnel top as possible to allow full swivel rotation.

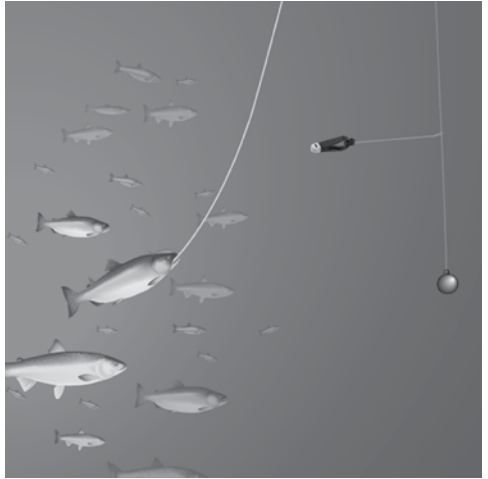
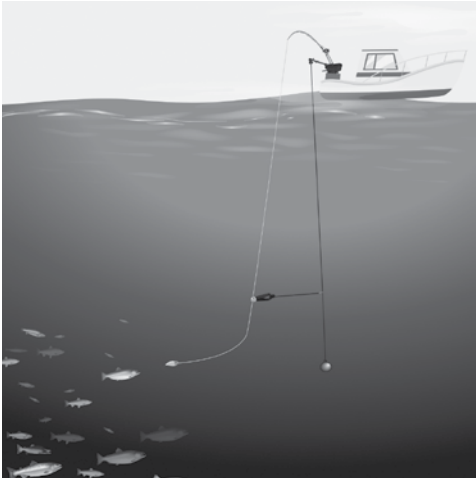
Clamp Mount Laketroller

If necessary, use a small block of wood for spacing on the outside of the gunwale. Make sure your Laketroller is securely clamped. A safety line tied from the Laketroller to the boat is a good idea.



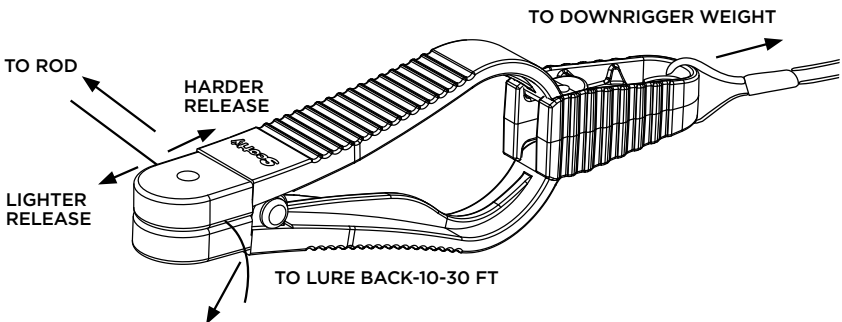
How to use your Laketroller

1. Fix Laketroller to boat and attach lead weight to metal swivel-hook (Maximum recommended weight is 2-3 lbs or 0.9kg - 1.35kg)
2. For release clip set-up, refer to diagram at bottom of page.
3. Ease off Laketroller brake tension nut and crank down to desired depth, while letting fishing line unwind from fishing reel with light tension drag on reel. One complete revolution of the Laketroller spool releases one foot of line. Count turns to troll at the depth you want and then set holding drag lightly, just enough to resist weight.



Mini Power grip release instructions

1. Attach the snap swivel of the Mini Power Grip release to the downrigger weight.
2. Attach your fishing line to the Mini Power Grip release by squeezing the jaws apart and placing your fishing line between the pads. The release tension is lighter at the outer tip, and is heavier the further into the jaws you place the line.
3. The tension adjuster can be moved forward or back to double the release tension.





SCOTTY FISHING & OUTDOOR PRODUCTS

2065 Henry Ave West
Sidney, British Columbia
Canada V8L 5Z6

PHONE 250 656 8102
TOLL FREE 1 800 214 0141
FAX 250 656 8126
EMAIL scotty@scotty.com



www.scotty.com

To obtain parts, information or to locate the warranty service depot nearest you, check out our website: scotty.com/contact

Although Scotty makes every effort to ensure the accuracy of specifications at the time of publication, specifications for products described in this publication are subject to change without notice.

Contact Scotty for the most current information.

Limited Lifetime Warranty

ORIGINAL PURCHASER

Scotty Marine and Fishing Products hereby extends to the **original purchaser** of the product listed on the registered warranty form, a warranty measured by the LIFETIME of the **original purchaser**, against defective workmanship and/or material defects when used for fishing, in conjunction with a fishing rod & reel with release system, the purpose intended, under normal conditions. Downrigger cable, terminal snaps and any damage resulting from snagging bottom or underwater obstructions are excluded from this warranty, and use of monofilament line of any type when used as Downrigger cable, will void this warranty.

The warranty period commences upon the date the Downrigger is purchased and terminates on the transfer of the product from the original purchaser.

It is a condition of warranty service that the product be returned to the factory service center, or factory authorized service center, freight prepaid, together with your registered product. In the event of a defect, malfunction or failure to conform with the written warranty, the warrantor will, at his discretion, either repair or replace warranted product. The warranty provided here is in lieu of all other express warranties. All other obligation or liabilities, including liabilities for consequential damages, are hereby excluded.

Some states or provinces do not allow limitations on how long an implied warranty last or do not allow the exclusion or limitation of incidental or consequential damages, so the above limitations or exclusion may not apply to you.

This warranty gives you specific legal rights, and may also have other rights which may vary by state or province.